



### Advantages:

- ✓ Suitable for high pressure areas
- ✓ Removable
- ✓ Suitable for high temperature
- ✓ Simple mounting hole
- ✓ Individual pressure preset
- ✓ Space-saving installation

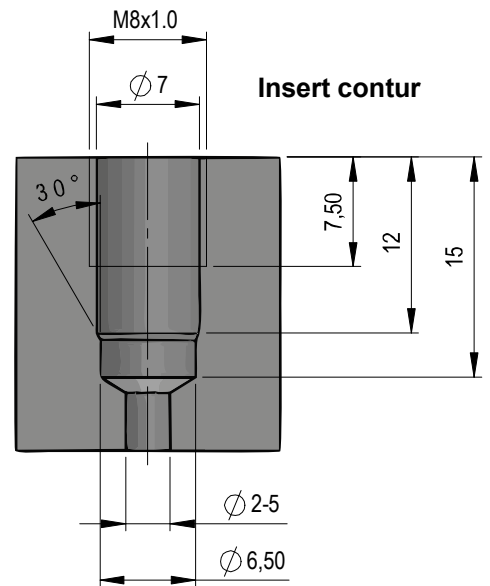
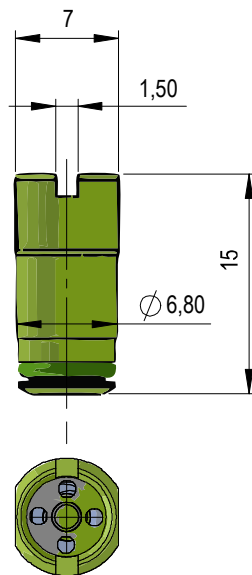
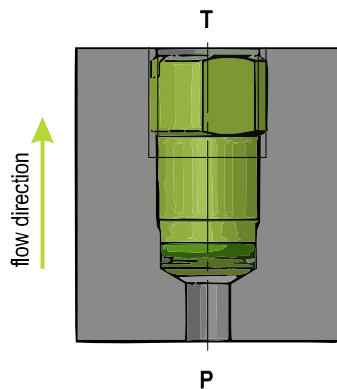


### Details

Part number: IPRV8-XXX

XXX = cracking pressure

Example: IPRV8-210



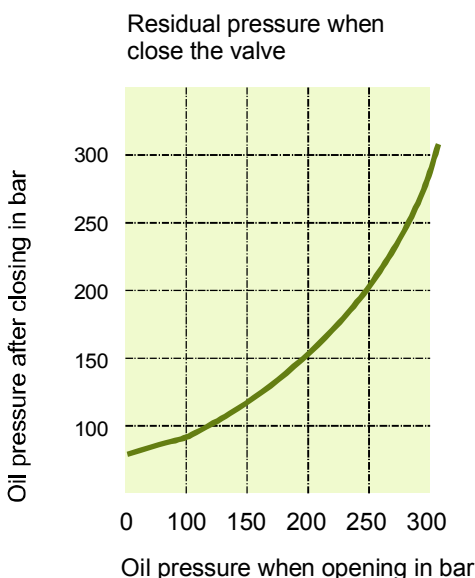
#### Note:

Due to the small nominal width, this valve cannot be used for constant pressure regulation.

It has to be used exclusively to derive pressure peaks that occur.

For hydraulic systems with an oil volume of more than 0.3 l it is not suitable .

### Diagram



The diagram below shows the behavior of the valve when it is opened by overpressure.

If there is no after-supply, the oil pressure shown on the right appears after closing.

However, this pressure is strongly dependent on the amount of oil in the system.

The smaller the amount, the lower the pressure after closing.

Tested Oil is HLP46.

### Data

Part number	IPRV8-XXX
Max. working pressure	350 bar
Max. working temperature	200°C
Material	Edelstahl
Seals material	FVMQ
Torque	6-7 Nm
Thread	M8x1
Inner Seal	metallic
Media	Hydraulic oil

### Contact

inosol GmbH  
Frankfurter Str. 18  
35315 Homberg/Ohm (Germany)

web: [www.inosol.solutions](http://www.inosol.solutions)  
email: [info@inosol.solutions](mailto:info@inosol.solutions)  
tel.: (+49) 6633 / 368 95 25